

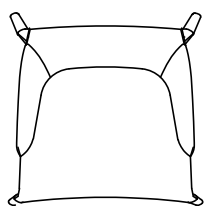
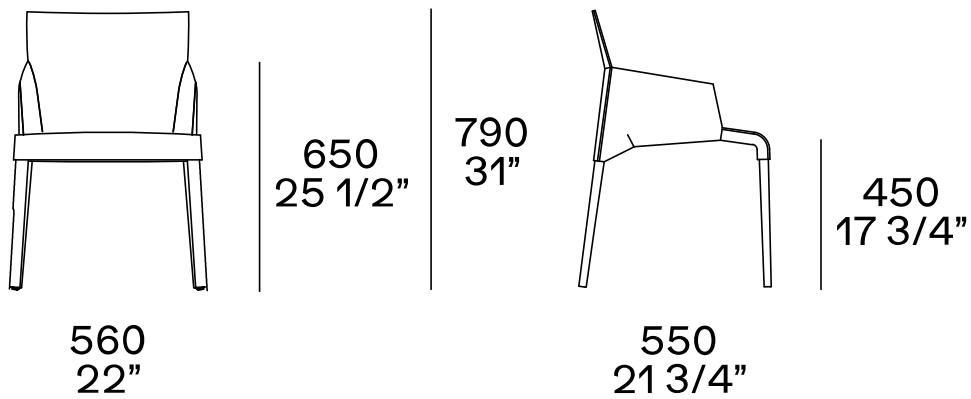


DESCRIPTION

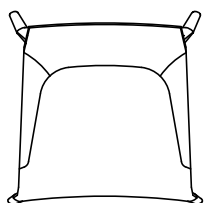
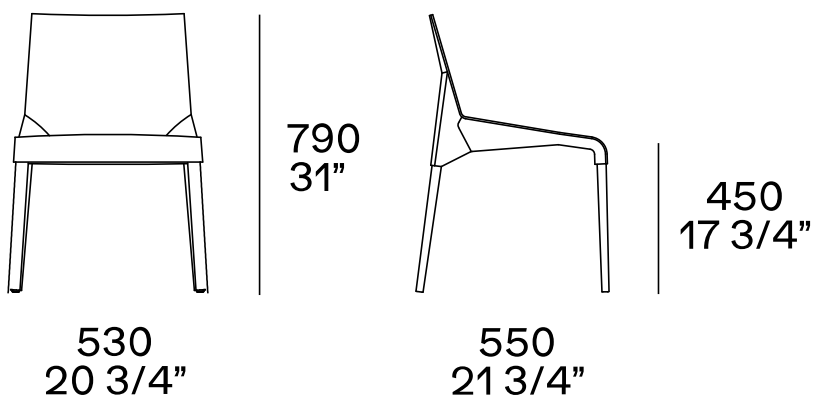
Typology	Chair
Legs	Solid wood or covered in hide
Seat / Backrest	Hide cover with metal element, under seat in integral polyurethane
Features	Perimeter decorative punching (broquering)
Final cover	Removable hide

DIMENSIONS

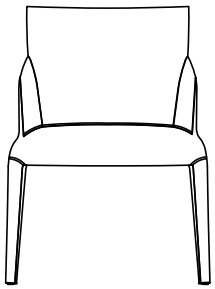
With arms



Without arms

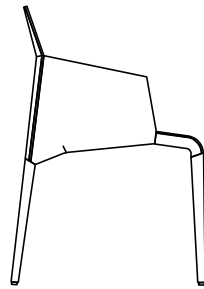


With arms



650
25 1/2"

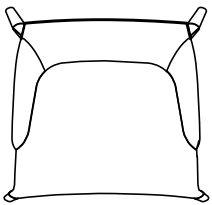
790
31"



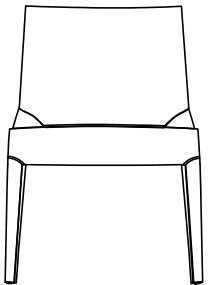
450
17 3/4"

560
22"

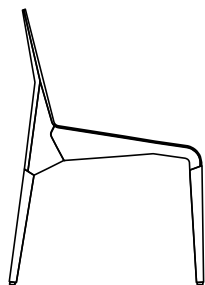
550
21 3/4"



Without arms



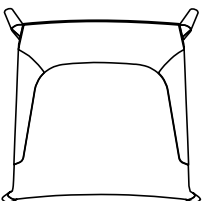
790
31"



450
17 3/4"

530
21 1/4"

550
21 3/4"



SEAT AND BACKREST FINISHES

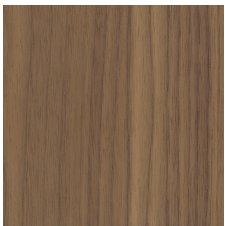
Hide



Hide

STRUCTURE FINISHES

Wood



Woods

Hide



Hide