

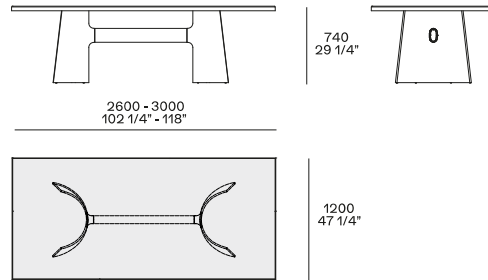
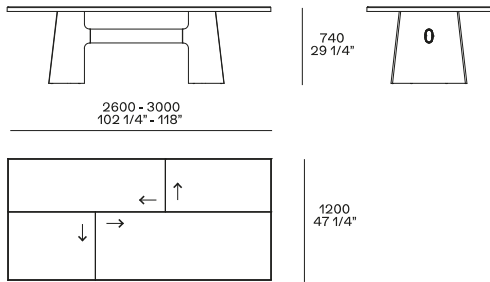


DESCRIPTION

Typology	Table
Legs	Aluminium lacquer - painted brushed casting
Top	Honeycomb panel with frame in solid wood lacquered - painted brushed
Insert	Medium-density fibre panel in veneer - marble

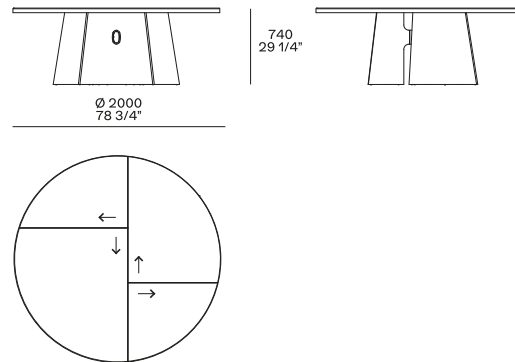
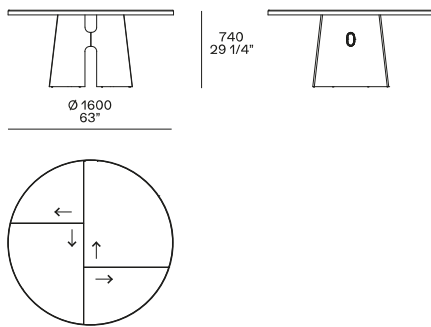
DIMENSIONS

Rectangular

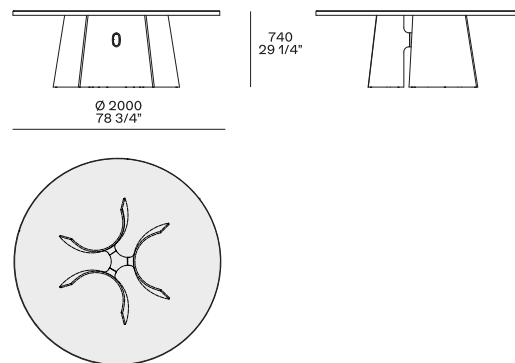
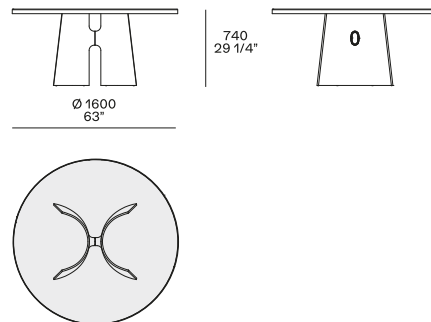


The drawings show the direction of the wooden grain

Round

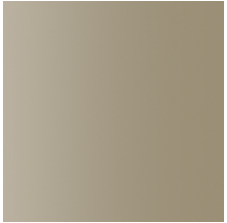


The drawings show the direction of the wooden grain



STRUCTURE FINISHES

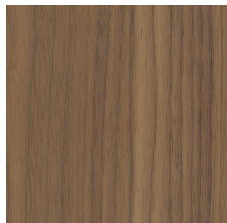
Metal parts



Metal parts

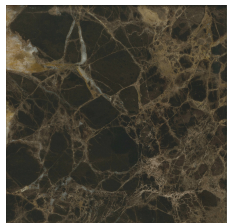
TOP FINISHES

Wood

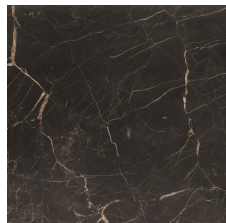


Woods

Marble



Mat marble



Glossy marble

Glass



Glass